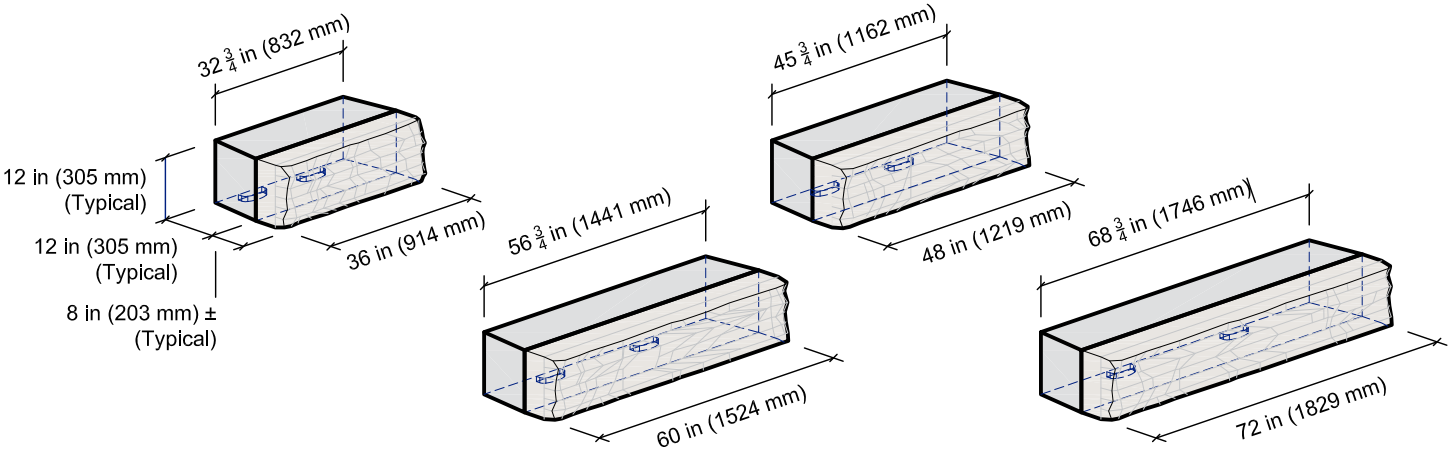
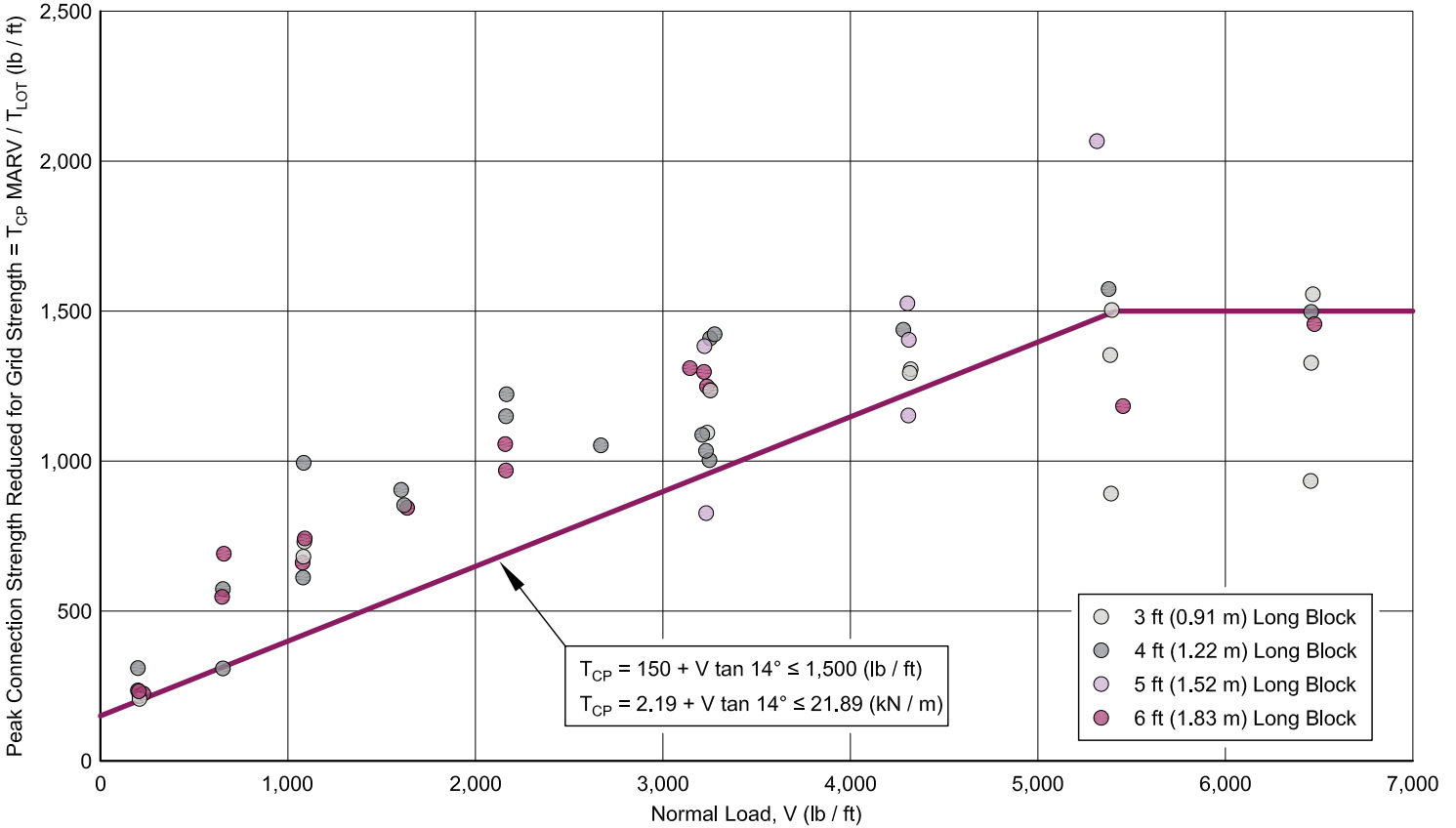


Test Method: ASTM D6638
 Block Type: Grand Ledge Wall Blocks

Test Facility: Aster Brands Test Lab, Charlevoix, MI USA
 Test Dates: June - July, 2021



Test data provided in detailed test reports for *Connection Strength with Miragrid 3XT Reinforcement* available on the Rosetta Hardscape website, www.rosettahardscapes.com.

Geogrid material used for these tests was TenCate Mirafi Miragrid 3XT from Lot # 20201214-2-2, which has a minimum average roll value of 3,500 lb/ft and an index strength of 3,902 lb/ft (as reported by the manufacturer).

Best fit line shown selected after evaluation of test results from full scale lab testing of Grand Ledge blocks with 3XT, 5XT, SGU060, and SGU080 geogrids. Values should not be used for other geogrids without verification through full scale lab testing.

The information contained in this report has been compiled by Aster Brands as a recommendation of geogrid connection strength with Mirafi Miragrid 3XT geogrid. It is accurate to the best of our knowledge as of the date of its issue. However, final determination of the suitability of any design information and the appropriateness of this data for a given design purpose is the sole responsibility of the user. No warranty of performance is expressed or implied by the publishing of these laboratory test results.