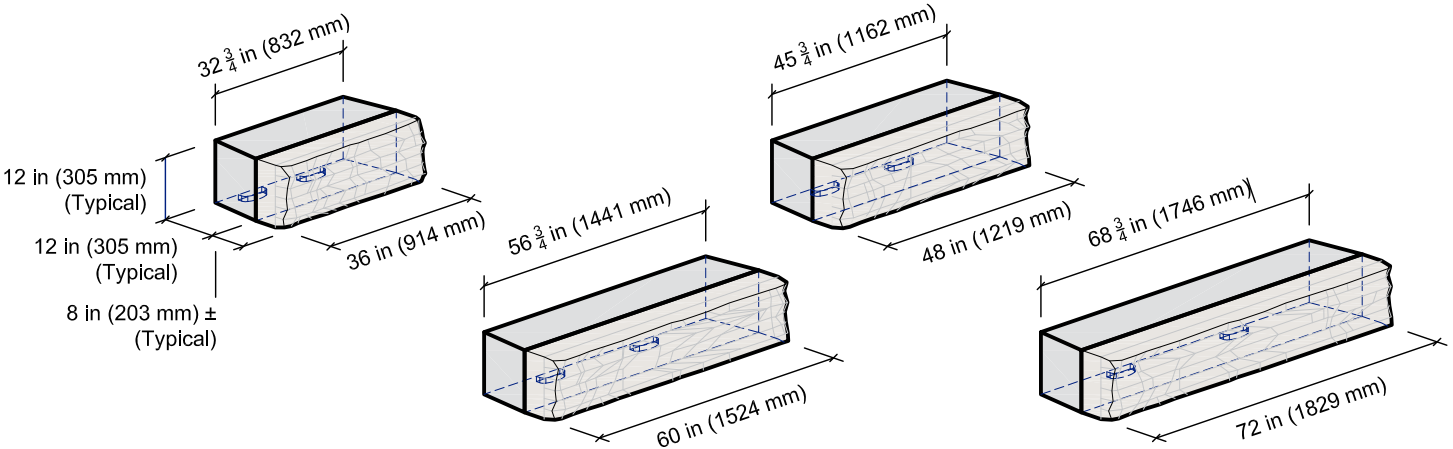
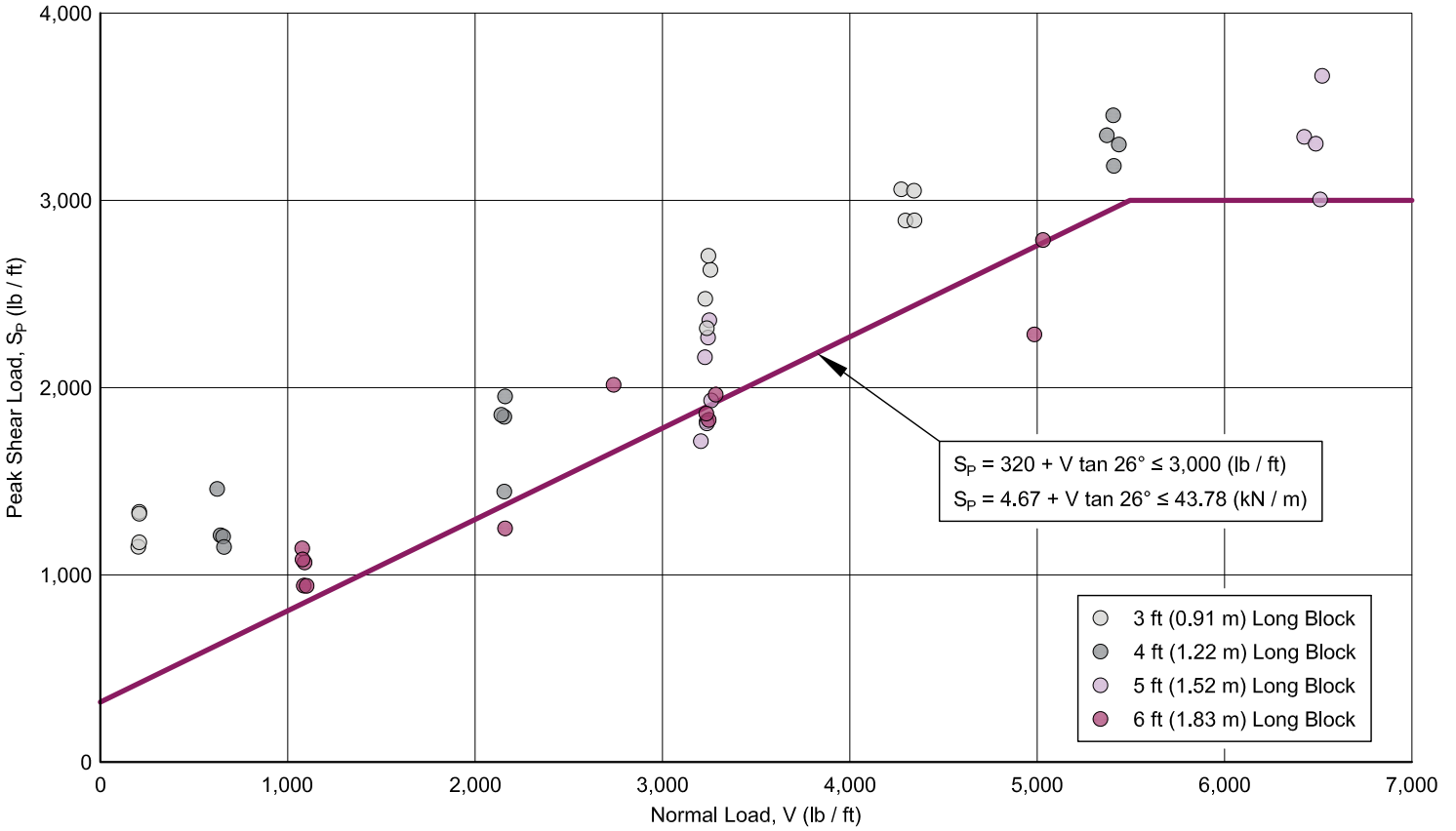


Test Method: ASTM D6919  
Block Type: Grand Ledge Wall Blocks

Test Facility: Aster Brands Test Lab, Charlevoix, MI USA  
Test Dates: February - April, 2021



Test data provided in detailed test reports for Block-to-Block Interface Shear with Geogrid Inclusion for geogrid types Miragrid 3XT, Miragrid 5XT, Stratagrid SGU060, Stratagrid SGU080 available on the Rosetta Hardscape website, [www.rosettahardscapes.com](http://www.rosettahardscapes.com).

Concrete blocks tested ranged in compressive strength from 4,463 to 4,663 psi (30.8 to 32.2 MPa). Measured peak interface shear values have been reduced and normalized to 4,000 psi (27.6 MPa) concrete.

Best fit line shown based on test results for 6 ft (1.83 m) long Grand Ledge block with 3XT, 5XT, SGU060, and SGU080 geogrid inclusion. Values should not be used for other geogrids without verification through full scale lab testing.

The information contained in this report has been compiled by Aster Brands as a recommendation of peak interface shear capacity. It is accurate to the best of our knowledge as of the date of its issue. However, final determination of the suitability of any design information and the appropriateness of this data for a given design purpose is the sole responsibility of the user. No warranty of performance is expressed or implied by the publishing of these laboratory test results.