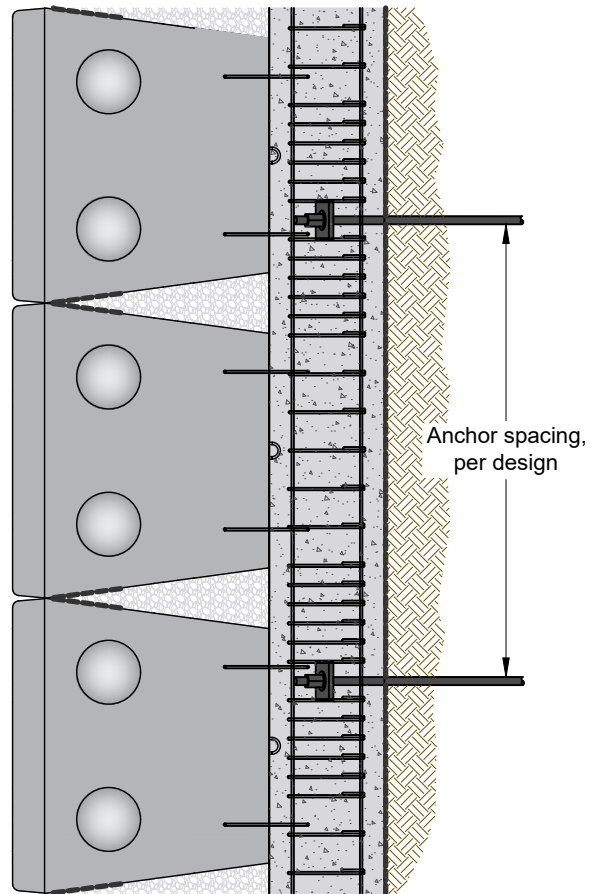
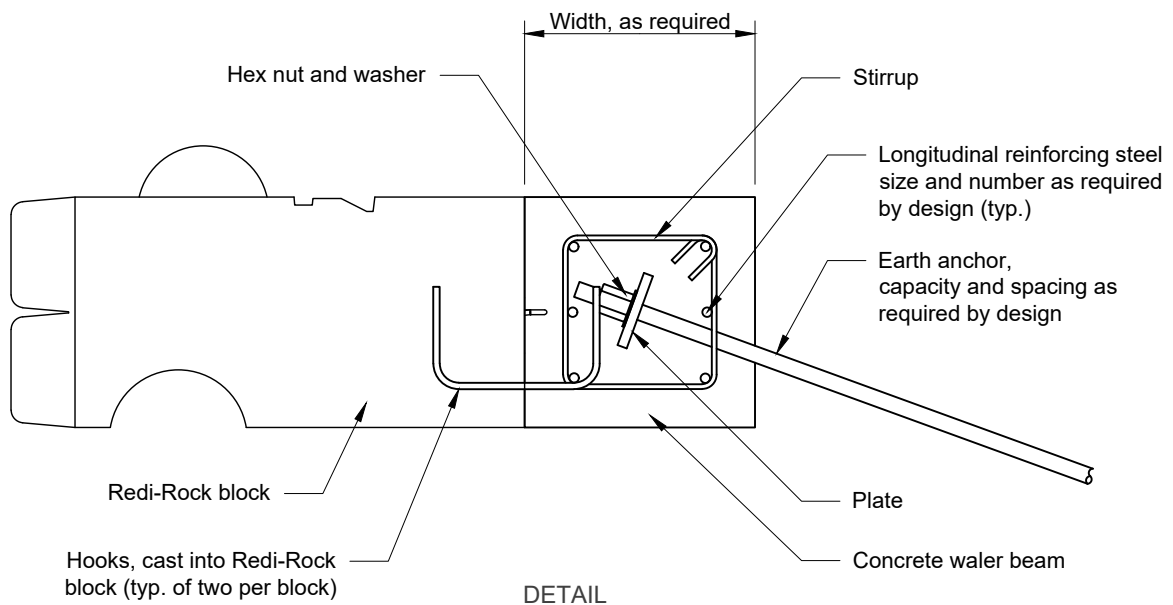


CROSS-SECTION



PLAN VIEW



DETAIL

This drawing is for reference only. Determination of the suitability and/or manner of use of any details contained in this document is the sole responsibility of the design engineer of record. Final project designs, including all construction details, shall be prepared by a licensed professional engineer using the actual conditions of the proposed site.

DRAWN BY:	NWL
APPROVED BY:	NWL
DATE:	23JUL2018
SHEET:	1 of 1

TITLE:	Anchor and Waler Beam Detail
FILE:	

**REDI-ROCK**  
 05481 US 31 SOUTH, CHARLEVOIX, MI 49720  
 (866) 222-8400 ext 3010 • [engineering@redi-rock.com](mailto:engineering@redi-rock.com)  
[www.redi-rock.com](http://www.redi-rock.com)