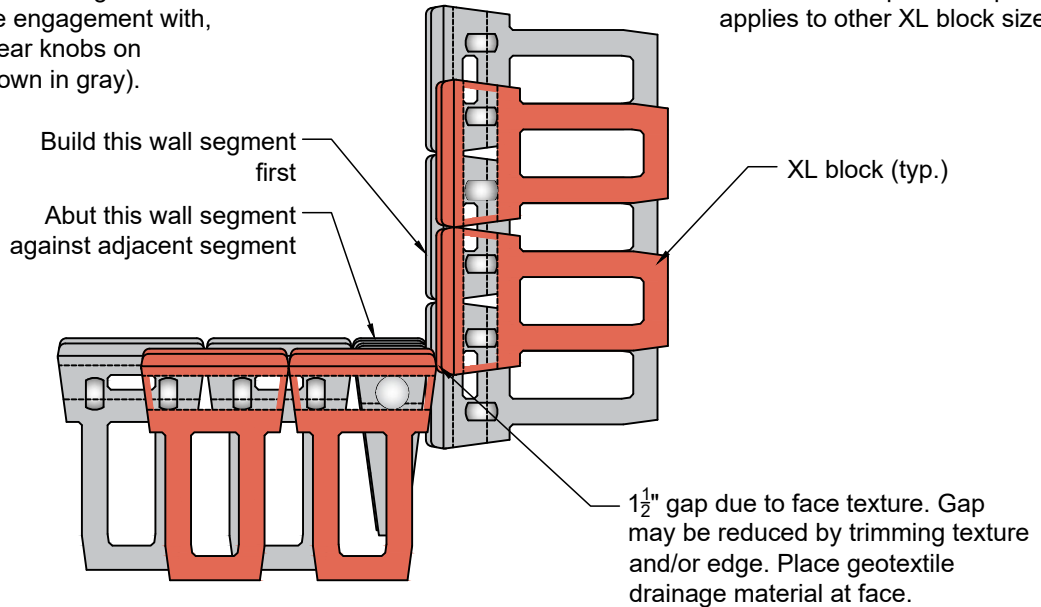


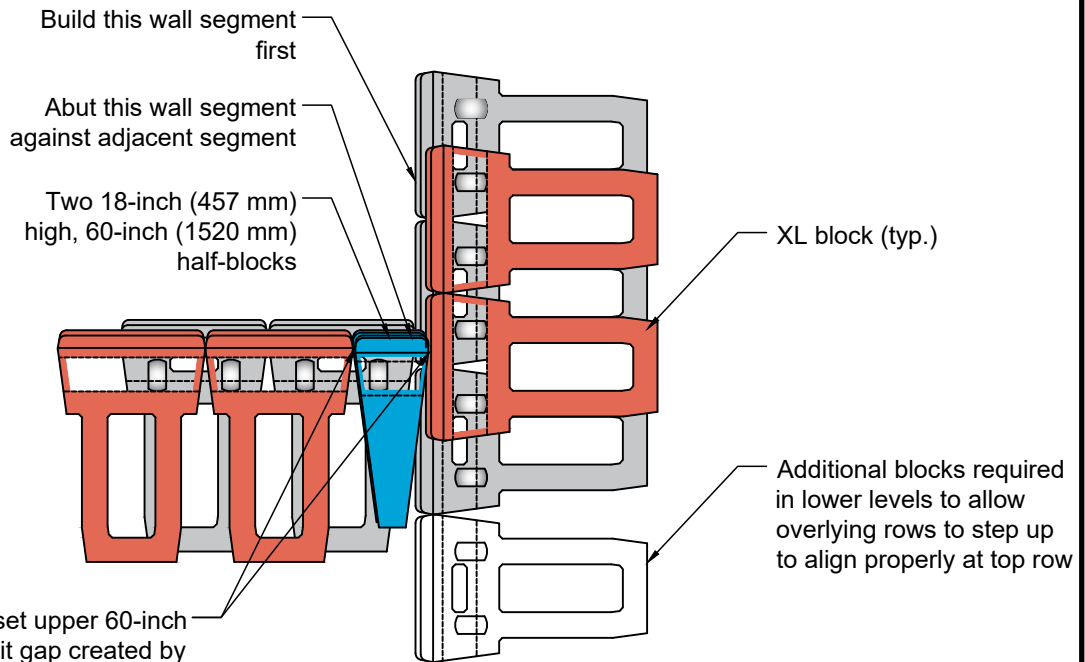
INSIDE CORNER | ABUTTED OPTION

Note: Upper row of block shown in color, with cut-out at shear groove location to illustrate engagement with, and location of, shear knobs on underlying row (shown in gray).

72" (1830 mm) block shown to illustrate concept. Concept applies to other XL block sizes.



Odd Row



Trim texture or offset upper 60-inch (1520 mm) block to split gap created by XL face texture. Place non-woven geotextile fabric between adjacent blocks at face.

Even Row

This drawing is for reference only. Determination of the suitability and/or manner of use of any details contained in this document is the sole responsibility of the design engineer of record. Final project designs, including all construction details, shall be prepared by a licensed professional engineer using the actual conditions of the proposed site.

DRAWN BY:	NWL
APPROVED BY:	JRJ
DATE:	18JUN2019
SHEET:	1 of 2

TITLE:	XL 90-Degree Inside Corner Detail
FILE:	XL inside corner abutted details 061819.dwg

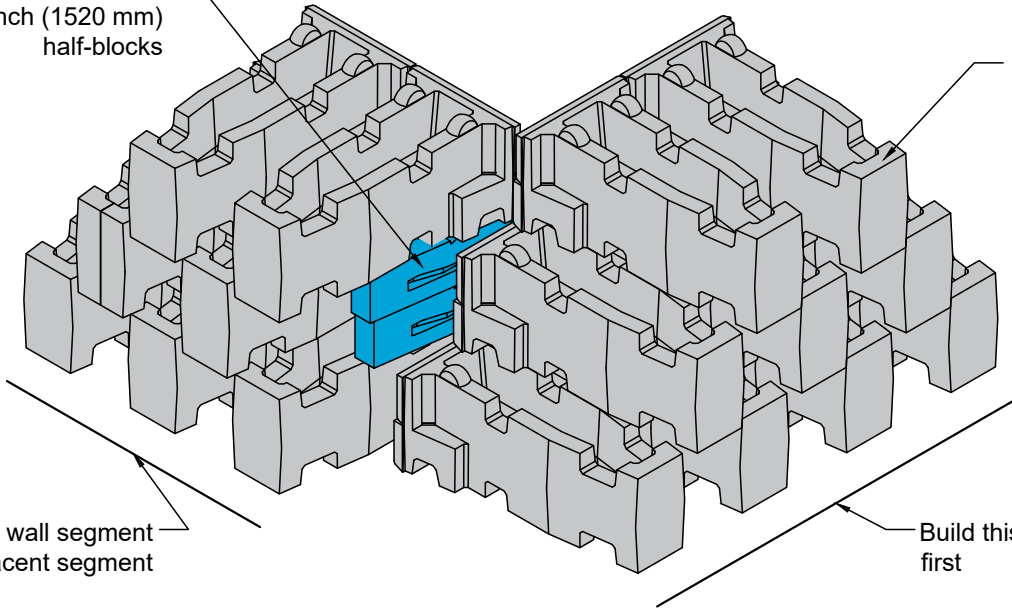


05481 US 31 SOUTH, CHARLEVOIX, MI 49720
 (866) 222-8400 ext 3010 • engineering@redi-rock.com
www.redi-rock.com

INSIDE CORNER | ABUTTED OPTION

Two 18-inch (457 mm) high, 60-inch (1520 mm) half-blocks

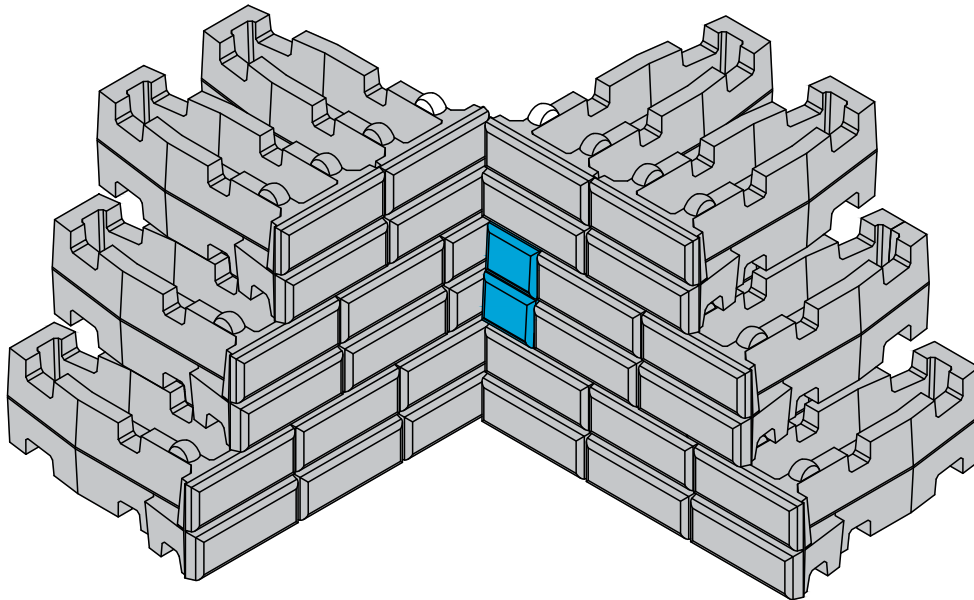
XL block (typical)



Abut this wall segment against adjacent segment

Build this wall segment first

Rear View



72" (1830 mm) block shown to illustrate concept. Concept applies to other XL block sizes.

Front View

This drawing is for reference only. Determination of the suitability and/or manner of use of any details contained in this document is the sole responsibility of the design engineer of record. Final project designs, including all construction details, shall be prepared by a licensed professional engineer using the actual conditions of the proposed site.

DRAWN BY:	NWL
APPROVED BY:	JRJ
DATE:	18JUN2019
SHEET:	2 of 2

TITLE:	XL 90-Degree Inside Corner Detail
FILE:	

REDI-ROCK
 05481 US 31 SOUTH, CHARLEVOIX, MI 49720
 (866) 222-8400 ext 3010 • engineering@redi-rock.com
www.redi-rock.com