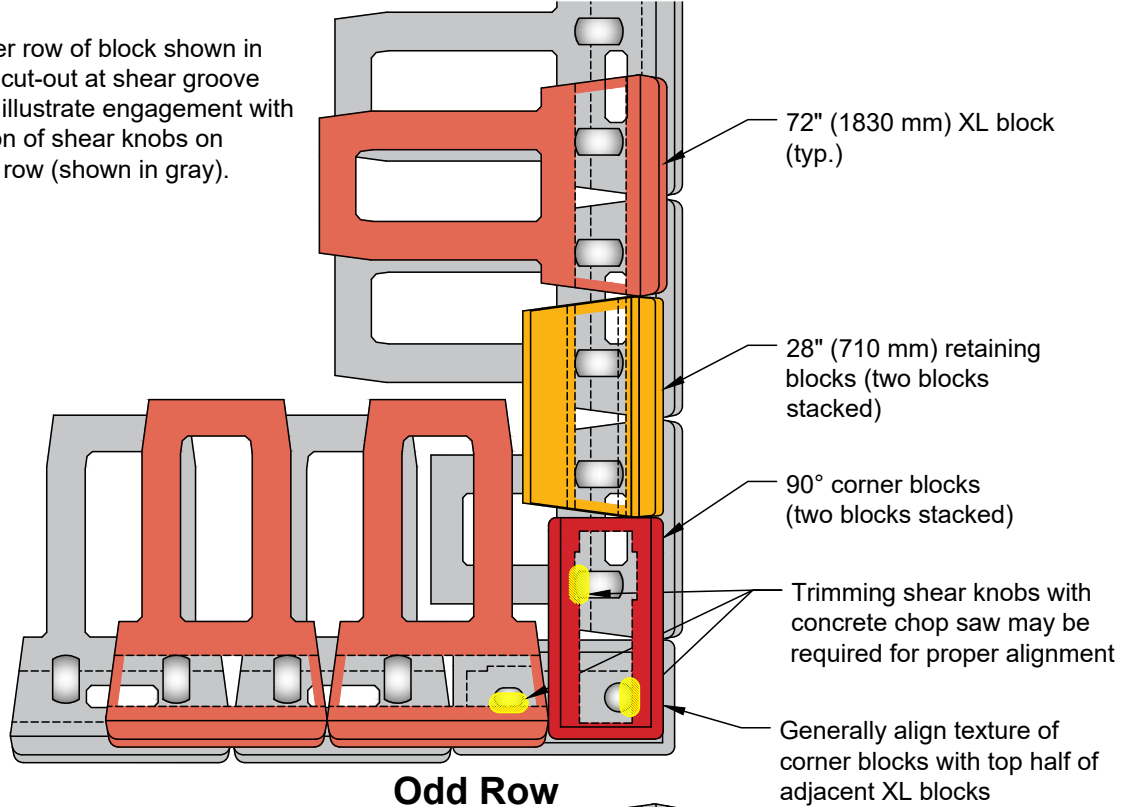


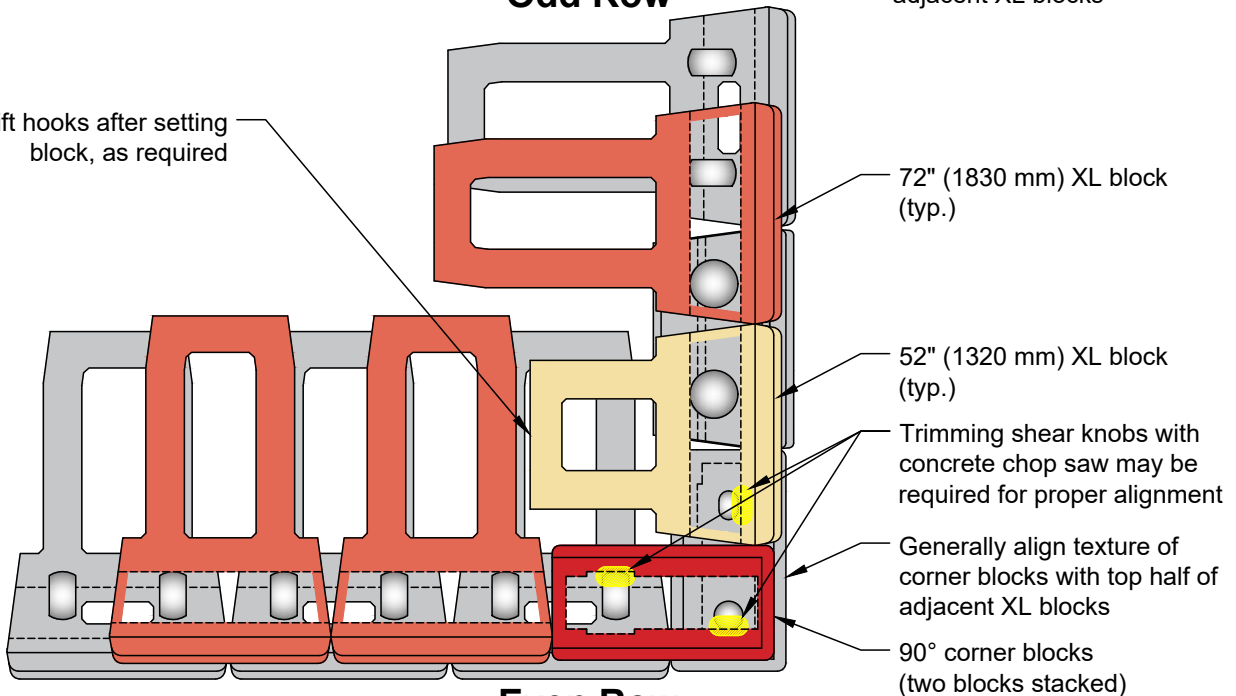
72" (1830 mm) XL BLOCKS

Note: Upper row of block shown in color, with cut-out at shear groove location to illustrate engagement with and location of shear knobs on underlying row (shown in gray).



Odd Row

Cut lift hooks after setting block, as required



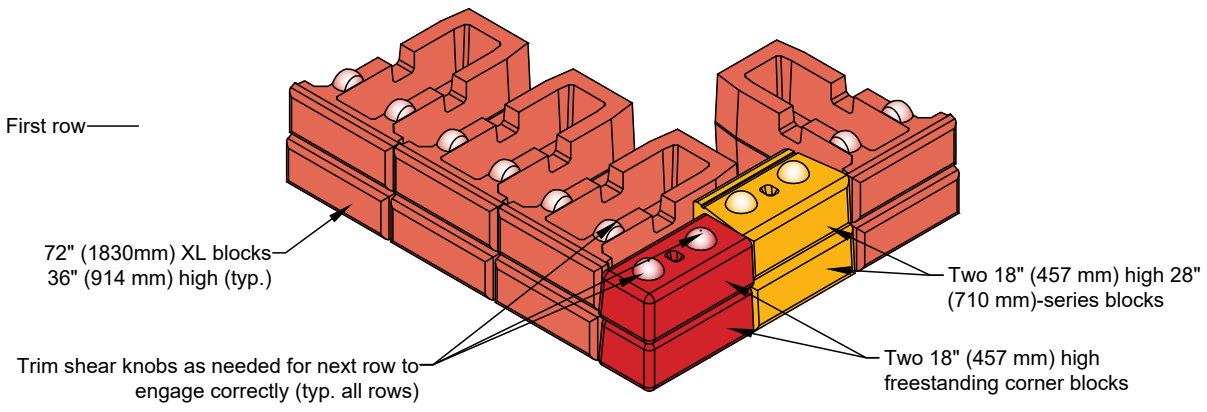
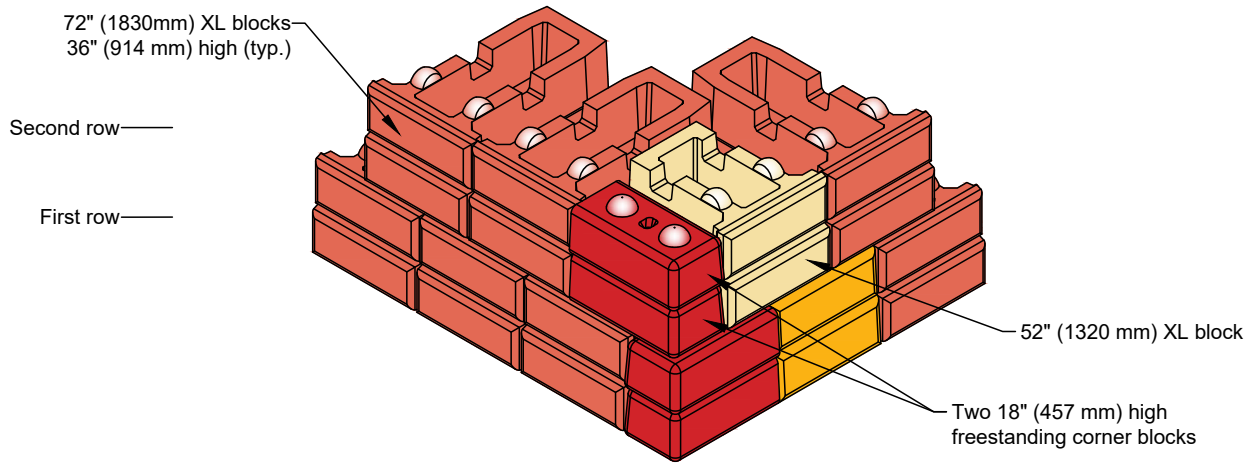
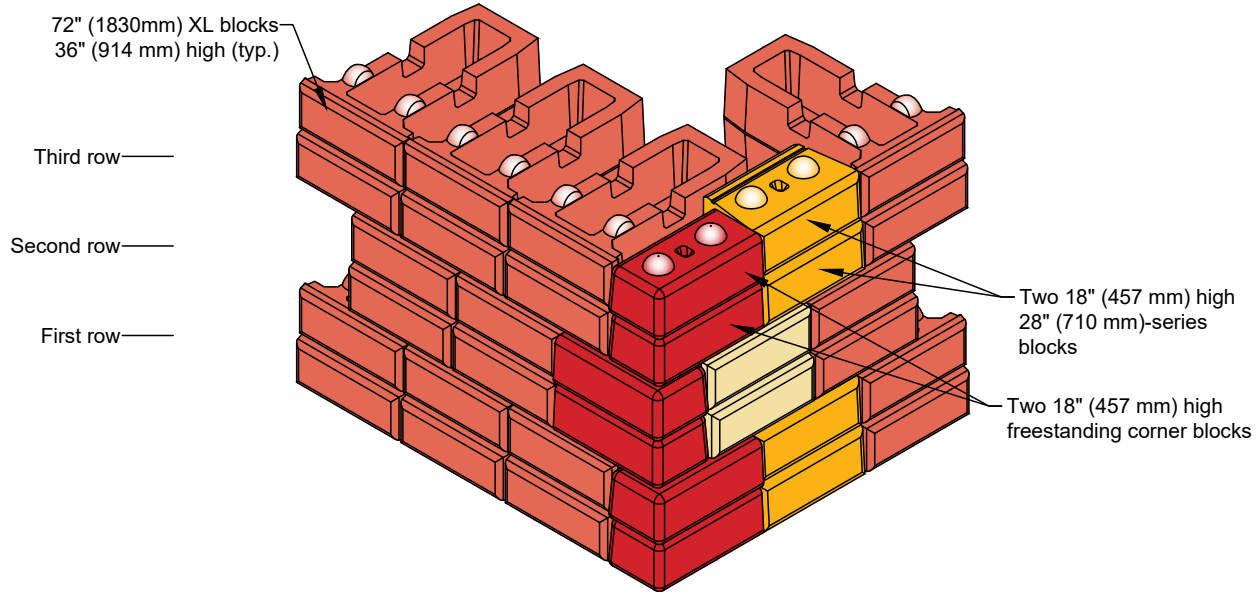
Even Row

This drawing is for reference only. Determination of the suitability and/or manner of use of any details contained in this document is the sole responsibility of the design engineer of record. Final project designs, including all construction details, shall be prepared by a licensed professional engineer using the actual conditions of the proposed site.

DRAWN BY:	NWL
APPROVED BY:	JRJ
DATE:	19JUN2019
SHEET:	1 of 2

TITLE:	XL 90-Degree Outside Corner Detail
FILE:	XL 72 outside corner details 061919.dwg

REDI-ROCK
 05481 US 31 SOUTH, CHARLEVOIX, MI 49720
 (866) 222-8400 ext 3010 • engineering@redi-rock.com
www.redi-rock.com



This drawing is for reference only. Determination of the suitability and/or manner of use of any details contained in this document is the sole responsibility of the design engineer of record. Final project designs, including all construction details, shall be prepared by a licensed professional engineer using the actual conditions of the proposed site.

DRAWN BY:	NWL
APPROVED BY:	JRJ
DATE:	19JUN2019
SHEET:	2 of 2

TITLE:	XL 90-Degree Outside Corner Detail
FILE:	XL 72 outside corner details 061919.dwg

REDI-ROCK
 05481 US 31 SOUTH, CHARLEVOIX, MI 49720
 (866) 222-8400 ext 3010 • engineering@redi-rock.com
www.redi-rock.com