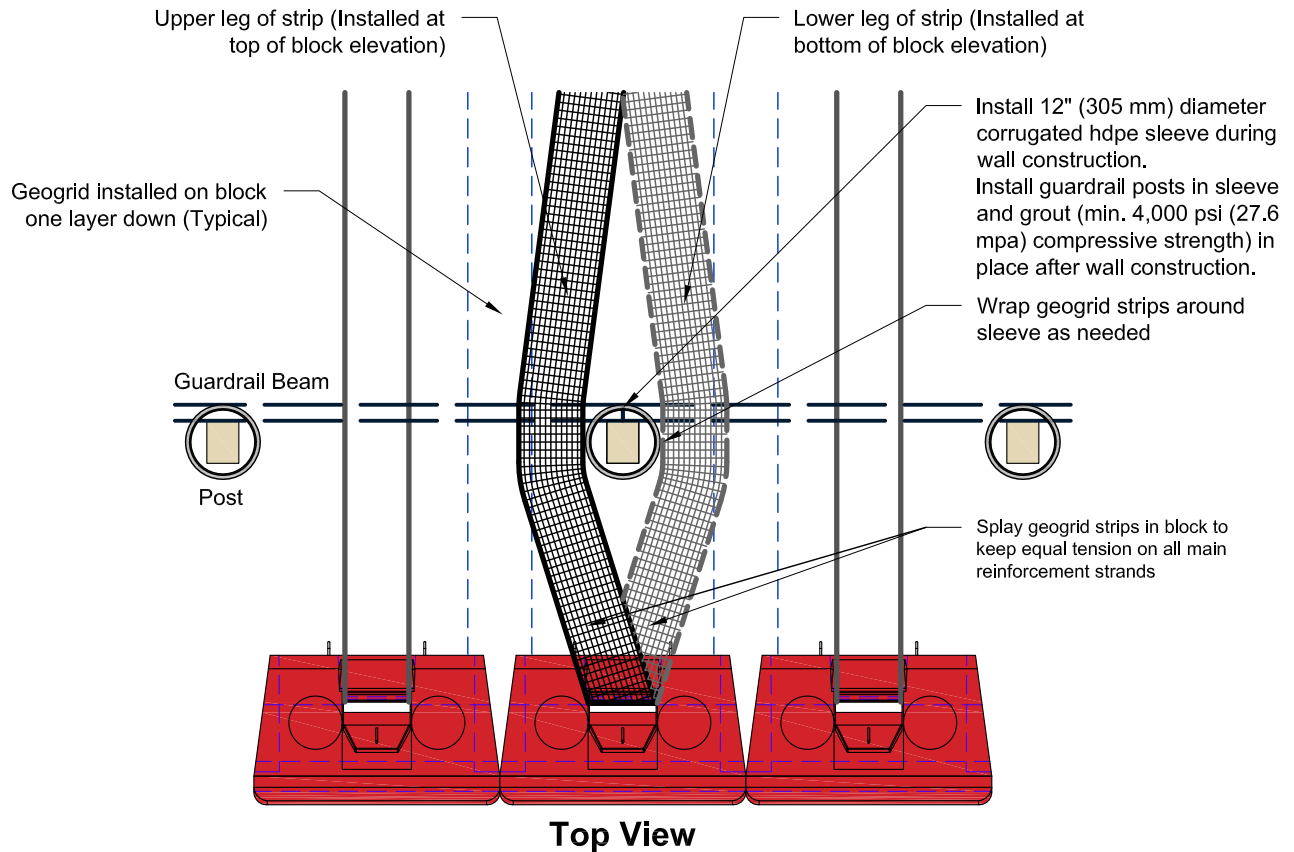
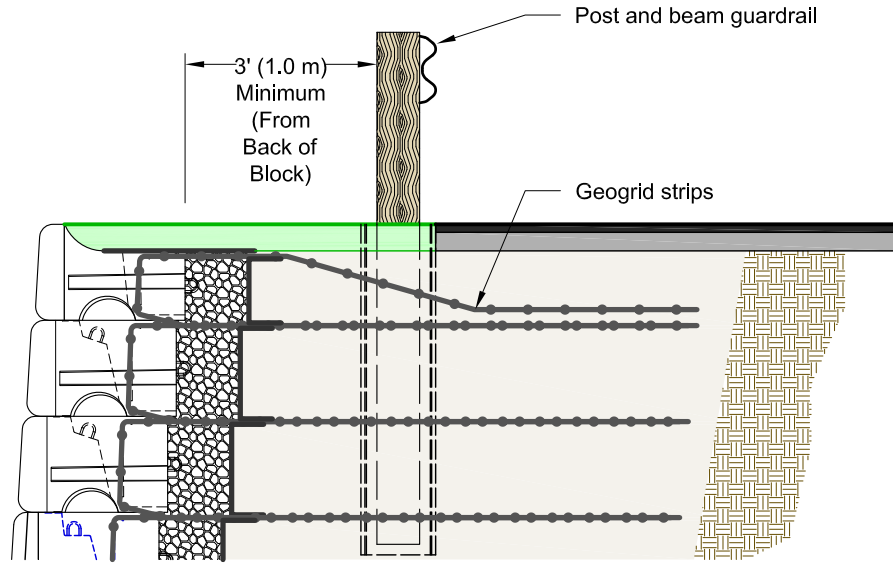


## Post and Beam Guardrail



This drawing is for reference only. Determination of the suitability and/or manner of use of any details contained in this document is the sole responsibility of the design engineer of record. Final project designs, including all construction details, shall be prepared by a licensed professional engineer using the actual conditions of the proposed site.

DRAWN BY:	JRJ
APPROVED BY:	JRJ
DATE:	06-22-2015
SHEET:	1 of 1

TITLE:	<h1>Post and Beam Guardrail</h1>
FILE:	

**REDI-ROCK®**

05481 US 31 SOUTH, CHARLEVOIX, MI 49720  
 (866) 222-8400 ext 3010 • [engineering@redi-rock.com](mailto:engineering@redi-rock.com)  
[www.redi-rock.com](http://www.redi-rock.com)