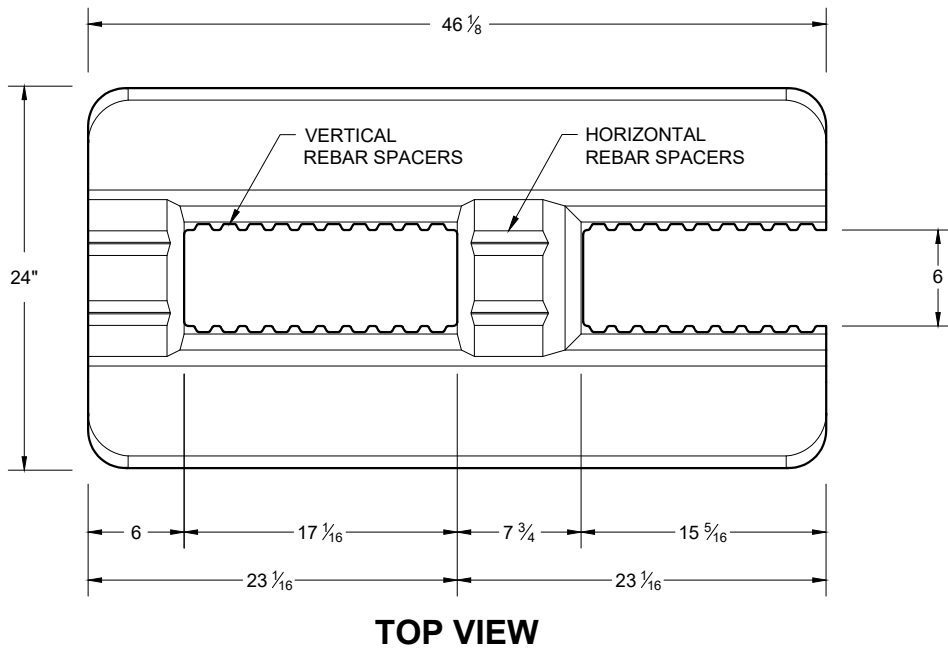
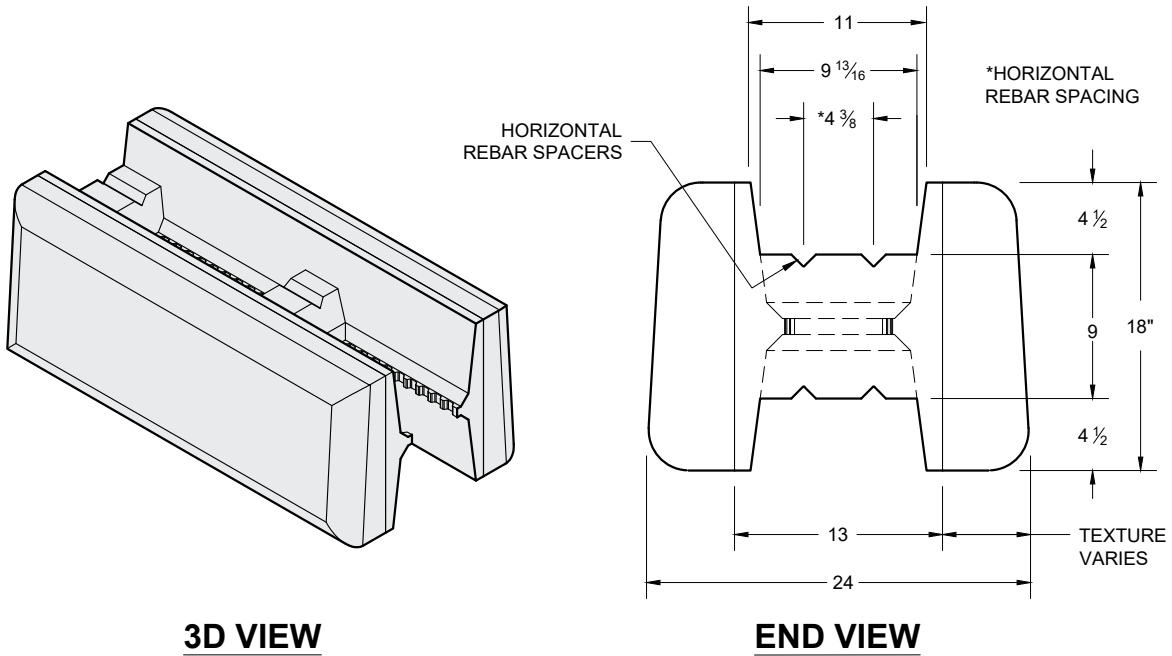


F-HC HOLLOW CORE

Face Texture:	Cobble / Limestone	Ledgestone
Block Weight:	913 lb (414 kg)	770 lb (349 kg)
Block Volume:	6.38 ft ³ (0.181 m ³)	5.38 ft ³ (0.152 m ³)
Core Volume:	4.09 ft ³ (0.116 m ³)	4.09 ft ³ (0.116 m ³)



1. Units for dimensions are inches (mm), typical unless noted otherwise.
2. Confirm block production with licensed Redi-Rock manufacturer.
3. Architectural faces on the blocks have varying texture.
4. Average block weights shown. Actual block volumes and weights may vary.
5. Weights are based upon a concrete density of 143 lb/ft³ (2291 kg/m³).

DRAWN BY:	MAW
APPROVED BY:	JRJ
DATE:	30MAY2017
SHEET:	1 of 1

TITLE:	Design Details F-HC HOLLOW CORE
FILE:	Hollow Core Design Details 053017.dwg

REDI-ROCK
 05481 US 31 SOUTH, CHARLEVOIX, MI 49720
 (866) 222-8400 ext 3010 • engineering@redi-rock.com
www.redi-rock.com