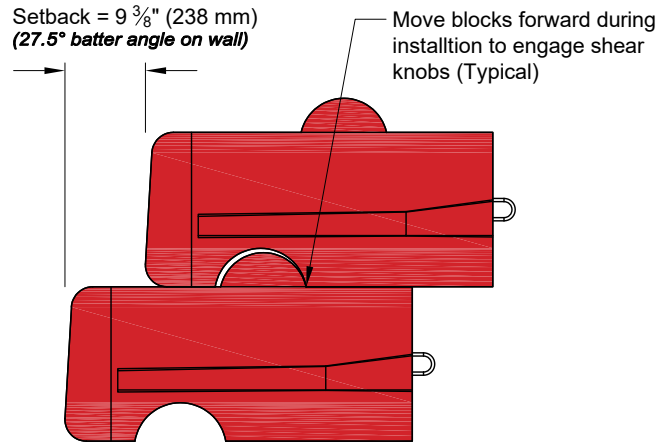
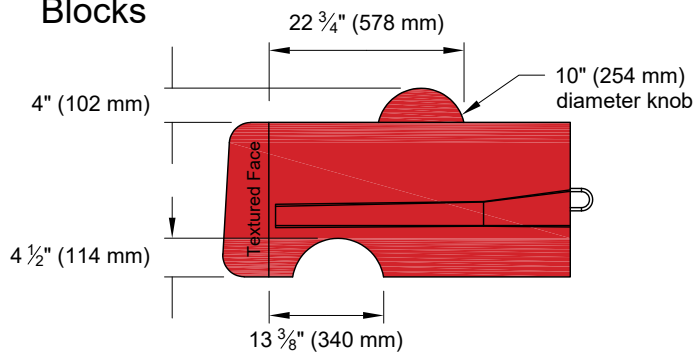


BLOCK-TO-BLOCK SETBACK OPTIONS

NO SCALE

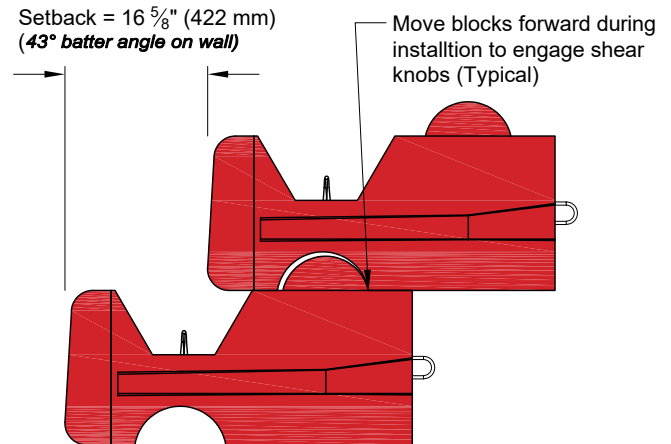
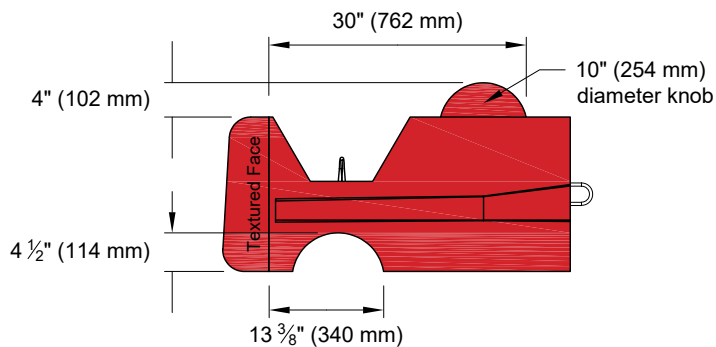
9" (230 mm) Setback Blocks



Available with:

- 41" (1030 mm) blocks (shown here) and 60" (1520 mm) blocks
- Not available in PC blocks

Planter Blocks



Available with:

- 41" (1030 mm) blocks (shown here) and 60" (1520 mm) blocks
- Not available in PC blocks

Redi-Rock has two options for large batter retaining walls. Both options are created by relocating the knob so that it is further back in the Redi-Rock blocks compared to our smaller batter walls (5° and less). There are two knob locations further back in the block which create the 9" (230 mm) setback block and the planter block. Blocks made with knobs in either of these locations almost exclusively use 10" (254 mm) diameter knobs.

DRAWN BY:	JRJ
UPDATED BY:	DLH
DATE:	01-03-2022
SHEET:	1 of 1

TITLE:	Block Setback Options Large Batter
FILE:	

REDI-ROCK[®]
 05481 US 31 SOUTH, CHARLEVOIX, MI 49720
 (866) 222-8400 ext 3010 • engineering@redi-rock.com
www.redi-rock.com