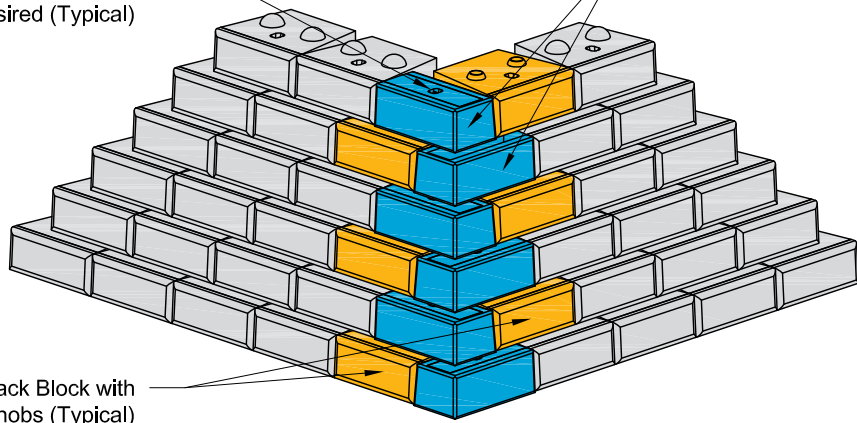


90° Outside Corner for 9" (230 mm) Setback Walls

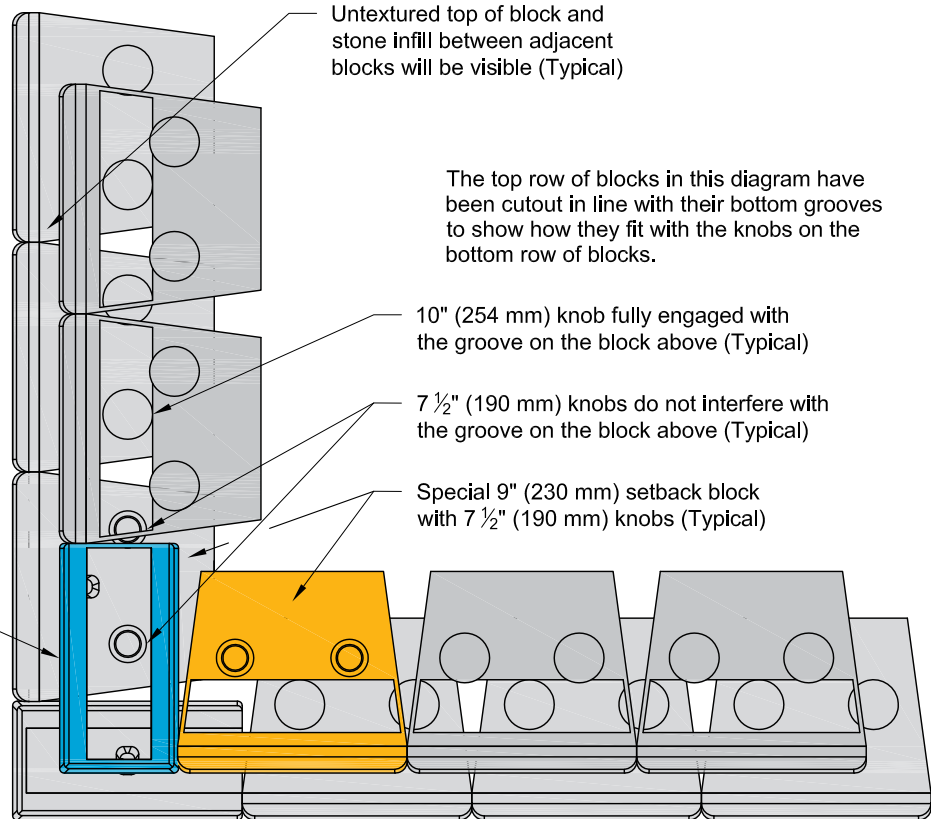
Recess pocket and lifting insert may be visible
Options: Fill with tinted mortar or use custom blocks without top lifter if desired (Typical)

Freestanding Corner
Top Block (Typical)



Special 9" (230 mm) Setback Block with
7 1/2" (190 mm) diameter knobs (Typical)

Multiple Row Installation



Untextured top of block and
stone infill between adjacent
blocks will be visible (Typical)

The top row of blocks in this diagram have
been cutout in line with their bottom grooves
to show how they fit with the knobs on the
bottom row of blocks.

10" (254 mm) knob fully engaged with
the groove on the block above (Typical)

7 1/2" (190 mm) knobs do not interfere with
the groove on the block above (Typical)

Special 9" (230 mm) setback block
with 7 1/2" (190 mm) knobs (Typical)

Freestanding Corner
Top block (Typical)

Top View of Bottom Two Rows

This drawing is for reference only. Determination of the suitability and/or manner of use of any details contained in this document is the sole responsibility of the design engineer of record. Final project designs, including all construction details, shall be prepared by a licensed professional engineer using the actual conditions of the proposed site.

| | |
|--------------|------------|
| DRAWN BY: | JRJ |
| APPROVED BY: | JRJ |
| DATE: | 06-22-2015 |
| SHEET: | 1 of 1 |

| | |
|--------|---|
| TITLE: | 90° Outside Corner for 9" Setback Walls |
| FILE: | 7 90deg Outside Corner - 9in Setback Walls 062215.dwg |

REDI-ROCK®
05481 US 31 SOUTH, CHARLEVOIX, MI 49720
(866) 222-8400 ext 3010 • engineering@redi-rock.com
www.redi-rock.com