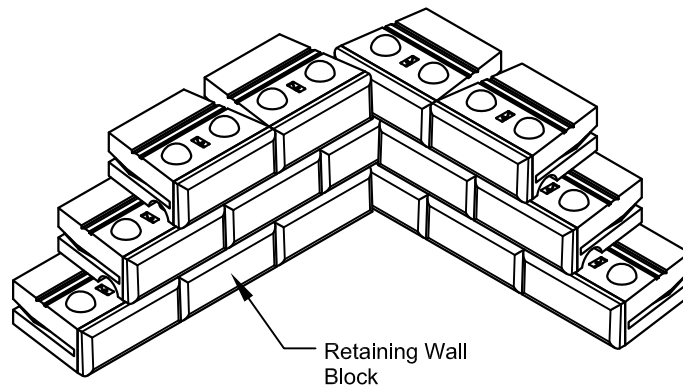
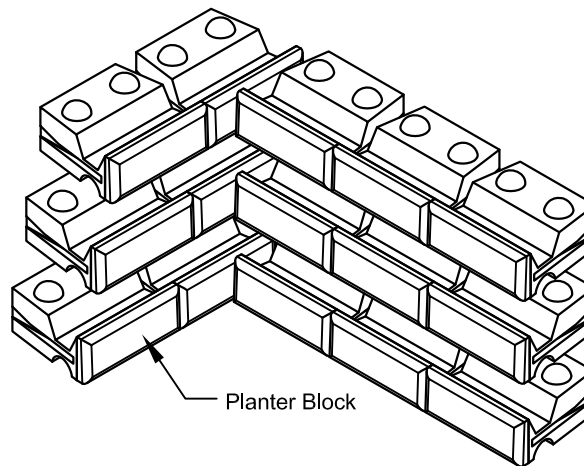


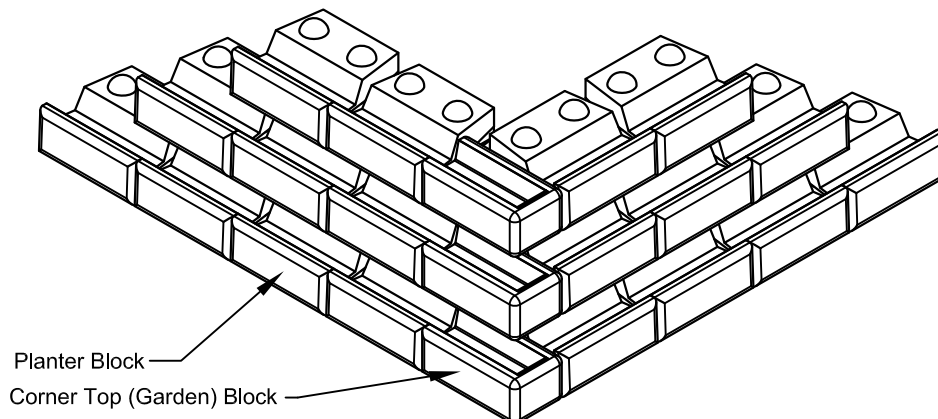
90° Inside Corner (41" and 28" Series)



90° Inside Corner with Planter Blocks (41" Series)



90° Outside Corner with Planter Blocks (41" Series)



DRAWN BY:	JRJ
APPROVED BY:	JRJ
DATE:	06-22-2015
SHEET:	1 of 1

TITLE:	90° Corner Options
FILE:	

REDI-ROCK[®]
05481 US 31 SOUTH, CHARLEVOIX, MI 49720
(866) 222-8400 ext 3010 • engineering@redi-rock.com
www.redi-rock.com