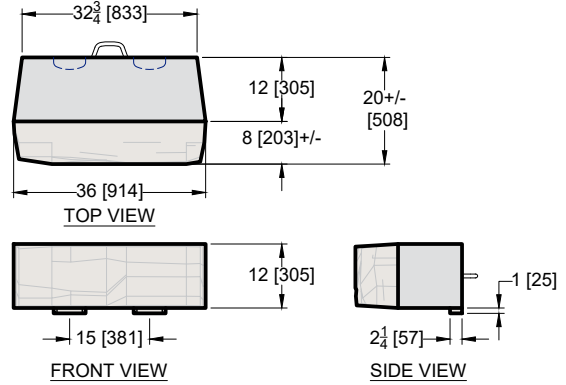
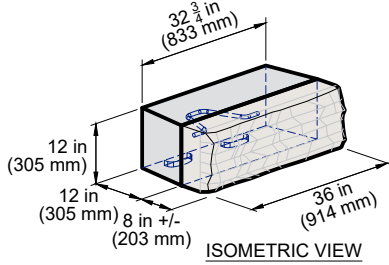


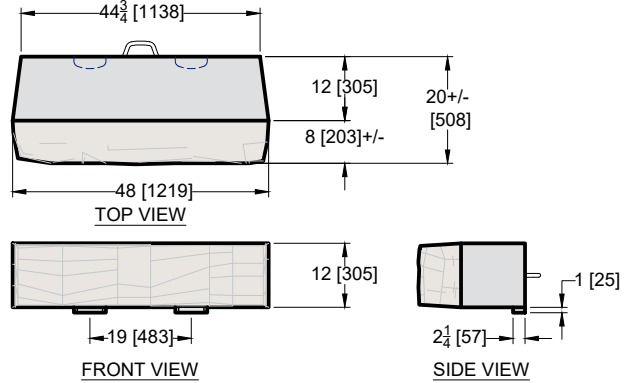
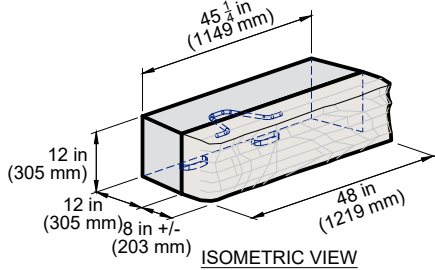
3-ft (0.91 m) Block

Weight = 660 lb (300 kg)
Volume = 4.6 cft (0.132 m³)



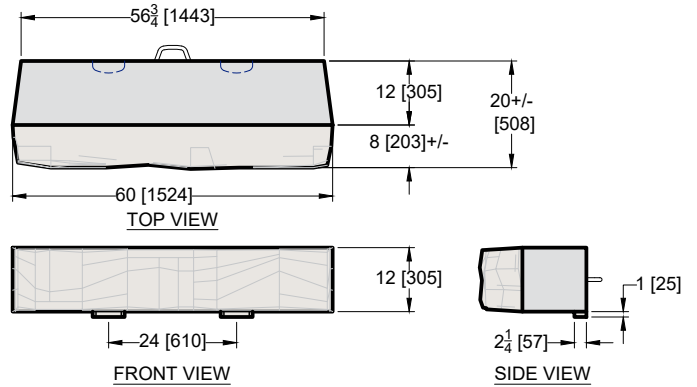
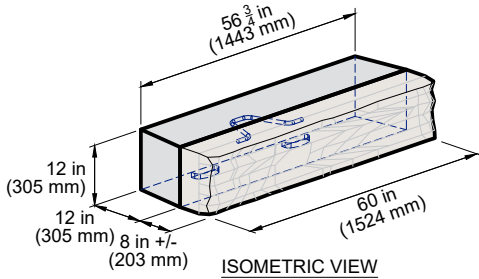
4-ft (1.22 m) Block

Weight = 890 lb (405 kg)
Volume = 6.2 cft (0.176 m³)



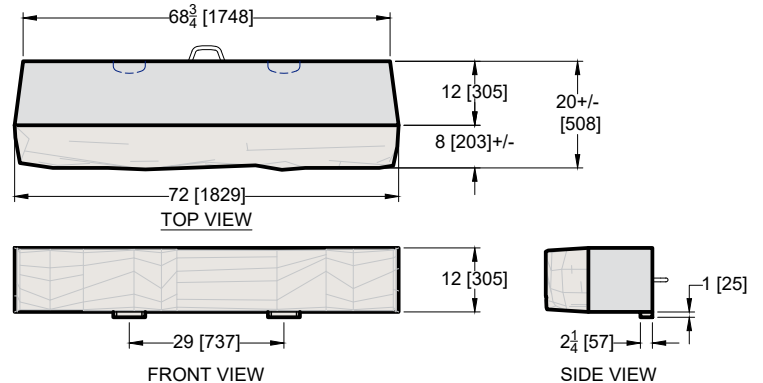
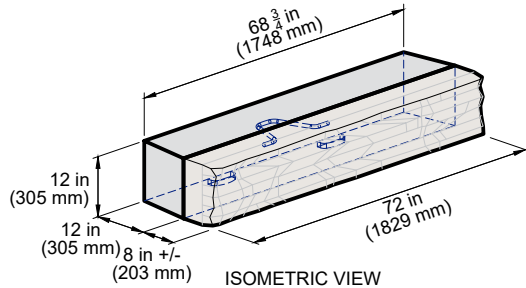
5-ft (1.52 m) Block

Weight = 1,080 lb (490 kg)
Volume = 7.5 cft (0.214 m³)



6-ft (1.83 m) Block

Weight = 1,350 lb (610 kg)
Volume = 9.4 cft (0.266 m³)



Note:
Each block size is produced with multiple face textures.
Block dimension tolerance is $\frac{3}{16}$ inch (5 mm) for height and $\frac{1}{2}$ inch (13 mm) for length and width. Face width varies due to texture.
Block weight based on assumed concrete unit weight of 143 lb/ft³ (2290 kg/m³) and average face texture volume.

DRAWN BY: N. LINDWALL	TITLE:
APPROVED BY:	GRAND LEDGE SCHEMATIC RETAINING BLOCKS
DATE: November 10, 2020	
SHEET NO. : 1 of 1	

DRAWING FILE: grandledge_schematic_retaining_blocks.dwg
--

ROSETTA
HARDSCAPES, LLC

2940 PARKVIEW DRIVE, PETOSKEY, MI 49770
844-367-9763 • www.rosettahardscapes.com